

- 1
- 2
- 3
- 4
- 5
- 6
- 7
- 8
- 9
- 10
- 11
- 12
- 13
- 14
- 15
- 16
- 17
- 18
- 19

**VERSIONS**

- Version **A**: without accessories
- Version **C**: with fastening set and cover cap

**Angle bracket**

- Aluminum
- Painted white **AW**
- Plain finish **AB**

**Fastening set (only for Type C)**

- T-slot nut and socket cap screw (for n = 8)
- T-slot bolt and collar nut (for n = 10)

**Steel, zinc plated (only for Type C) **SZ****

Blue / yellow passivated

**Cover cap (only for Type C)**

Polyamide based (PA) technopolymer  
Black **S**

**FEATURES AND APPLICATIONS**

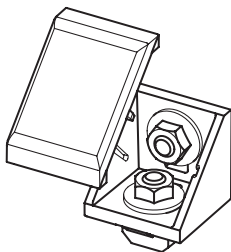
Angle brackets GN 30B fasten aluminum profiles to objects such as tables and panels or at right angles to each other. Machining of the profile is not necessary.

The connection can be freely positioned and slid along the slot. \*\*non tradotto\*\*

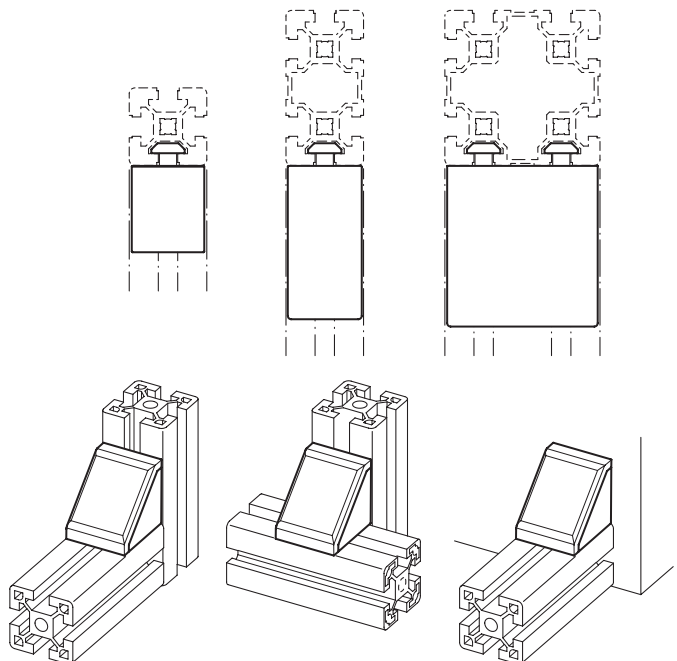
The cover caps ensure a visually appealing appearance and simplify cleaning (type C).

**ACCESSORIES ON REQUEST**

- GN 50B: T-Nuts
- GN 51B: T-Nuts
- GN 52B: T-Slot Bolts

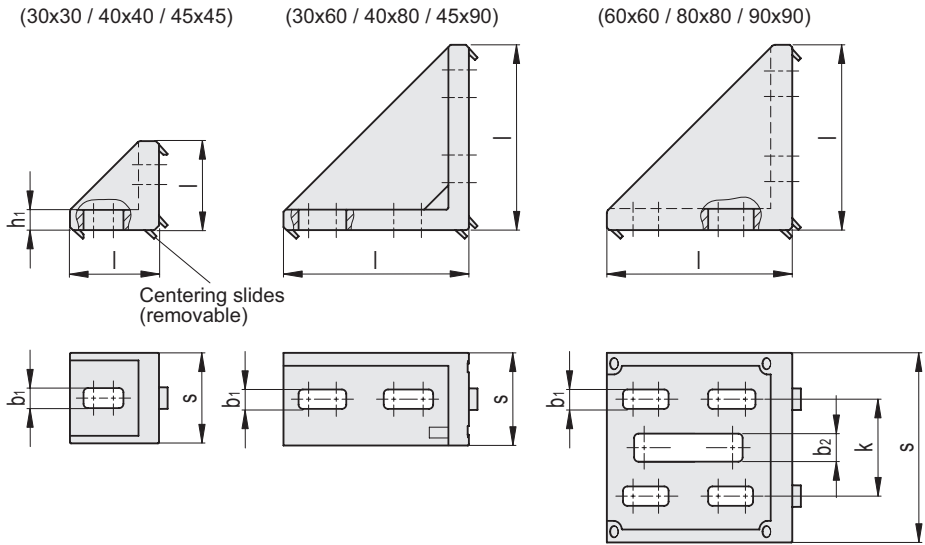


**Application examples**



Levelling feet and supports

Conversion Table	
1 mm = 0.039 inch	
mm	inch
30	1.17
40	1.56
45	1.76
60	2.34
76	2.96
80	3.12
90	3.51



GN 30B-A-AW

METRIC

Code	Description	l*	l#	b1 For screws	b2 For screws	h1	k	n	s*	s#	⚖
GN.67606	GN 30B-30308-A-AW	30	27	M6	-	5.5	-	8	30	28	21
GN.67626	GN 30B-30608-A-AW	60	57	M6	-	6	-	8	30	28	57
GN.67646	GN 30B-404010-A-AW	40	36	M8	-	5.5	-	10	40	38	34
GN.67666	GN 30B-408010-A-AW	80	80	M8	-	9	-	10	40	36	123
GN.67686	GN 30B-454510-A-AW	45	41	M8	-	9	-	10	45	42	52
GN.67706	GN 30B-459010-A-AW	90	87	M8	-	9.5	-	10	45	42	166
GN.67726	GN 30B-60608-A-AW	60	57	M6	M8	6	30	8	60	56	168
GN.67746	GN 30B-808010-A-AW	80	76	M8	-	8	40	10	80	74	227
GN.67766	GN 30B-909010-A-AW	90	86	M8	-	9.5	45	10	90	88	360

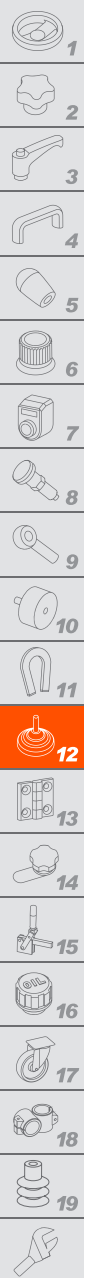
GN 30B-A-AB

Code	Description	l*	l#	b1 For screws	b2 For screws	h1	k	n	s*	s#	⚖
GN.67601	GN 30B-30308-A-AB	30	27	M6	-	5.5	-	8	30	28	21
GN.67621	GN 30B-30608-A-AB	40	36	M8	-	5.5	-	10	40	38	34
GN.67641	GN 30B-404010-A-AB	60	57	M6	-	6	-	8	30	28	59
GN.67661	GN 30B-408010-A-AB	80	80	M8	-	9	-	10	40	36	119
GN.67681	GN 30B-454510-A-AB	45	41	M8	-	9	-	10	45	42	50
GN.67701	GN 30B-459010-A-AB	90	87	M8	-	9.5	-	10	45	42	165
GN.67721	GN 30B-60608-A-AB	60	57	M6	M8	6	30	8	60	56	106
GN.67741	GN 30B-808010-A-AB	80	76	M8	-	8	40	10	80	74	225
GN.67761	GN 30B-909010-A-AB	90	86	M8	-	9.5	45	10	90	88	358

\* Nominal dimension

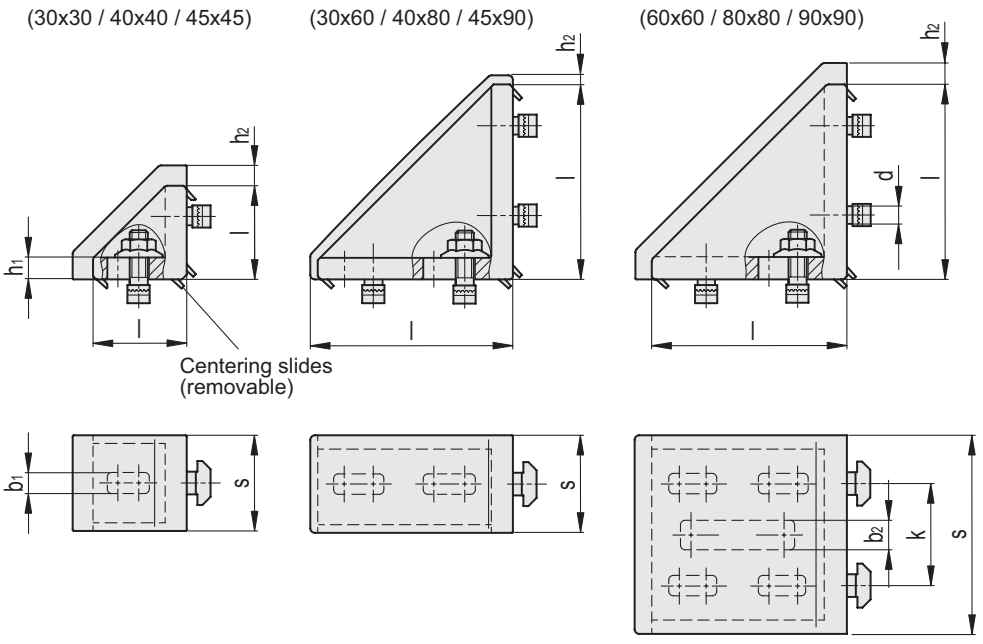
# Real dimension





**Conversion Table**  
1 mm = 0,039 inch

mm	inch
30	1.17
40	1.56
45	1.76
60	2.34
76	2.96
80	3.12
90	3.51



**GN 30B-C-AWSZS**

**METRIC**

Code	Description	l*	l#	d	b1 For screws	b2 For screws	h1	h2	k	n	s*	s#	⚖
GN.67616	GN 30B-30308-C-AWSZS	30	27	M6	M6	-	5.5	6	-	8	30	28	48
GN.67636	GN 30B-30608-C-AWSZS	60	57	M6	M6	-	6	3.5	-	8	30	28	99
GN.67656	GN 30B-404010-C-AWSZS	40	36	M8	M8	-	5.5	6	-	10	40	38	88
GN.67676	GN 30B-408010-C-AWSZS	80	80	M8	M8	-	9	3.5	-	10	40	36	210
GN.67696	GN 30B-454510-C-AWSZS	45	41	M8	M8	-	9	6	-	10	45	42	112
GN.67716	GN 30B-459010-C-AWSZS	90	87	M8	M8	-	9.5	3.5	-	10	45	42	300
GN.67736	GN 30B-60608-C-AWSZS	60	57	M6	M6	M8	6	6.5	30	8	60	56	198
GN.67756	GN 30B-808010-C-AWSZS	80	76	M8	M8	-	8	6.5	40	10	80	74	450
GN.67776	GN 30B-909010-C-AWSZS	90	86	M8	M8	-	9.5	6.5	45	10	90	88	592

**GN 30B-C-ABSZS**

Code	Description	l*	l#	d	b1 For screws	b2 For screws	h1	h2	k	n	s*	s#	⚖
GN.67611	GN 30B-30308-C-ABSZS	30	27	M6	M6	-	5.5	6	-	8	30	28	41
GN.67631	GN 30B-30608-C-ABSZS	60	57	M6	M6	-	6	3.5	-	8	30	28	96
GN.67651	GN 30B-404010-C-ABSZS	40	36	M8	M8	-	5.5	6	-	10	40	38	87
GN.67671	GN 30B-408010-C-ABSZS	80	80	M8	M8	-	9	3.5	-	10	40	36	207
GN.67691	GN 30B-454510-C-ABSZS	45	41	M8	M8	-	9	6	-	10	45	42	112
GN.67711	GN 30B-459010-C-ABSZS	90	87	M8	M8	-	9.5	3.5	-	10	45	42	299
GN.67731	GN 30B-60608-C-ABSZS	60	57	M6	M6	M8	6	6.5	30	8	60	56	181
GN.67751	GN 30B-808010-C-ABSZS	80	76	M8	M8	-	8	6.5	40	10	80	74	454
GN.67771	GN 30B-909010-C-ABSZS	90	86	M8	M8	-	9.5	6.5	45	10	90	88	588

\* Nominal dimension  
# Real dimension

Levelling feet and supports